

# NT1 AI-1

COMPLETE STUDIO KIT WITH AUDIO INTERFACE

The RØDE Complete Studio Kit contains everything you need to make professional, studio-quality recordings at home. Featuring our AI-1 audio interface, peerless NT1 large-diaphragm condenser microphone, plus an SM6 shock mount and XLR cable, it's the perfect first step into recording. The acclaimed NT1 delivers superb detail and warmth and is one of the quietest microphones in its class, delivering exceptional results on vocals, electric guitar, acoustic instruments and percussion. The AI-1 audio interface offers an easy way to connect the NT1 to your computer for seamless recording. It features an ultra-low-noise XLR input and a discreet, high-power headphone amplifier for studio-quality recording, monitoring and mixdown. The Neutrik™ combi-jack facilitates the connection of microphones, guitars, synthesisers and other instruments for complete flexibility. The Complete Studio Kit also includes our studio-grade SM6 shock mount and pop filter, and an XLR cable so you can get recording right away.

- NT1 large-diaphragm studio condenser microphone
- Single channel AI-1 audio interface
- High-quality headphone amplifier
- Shock mount, pop filter and XLR cable included
- 10 year warranty



# NT1

STUDIO CONDENSER MICROPHONE

The RØDE NT1 is a large-diaphragm condenser microphone suitable for a wide range of studio applications. Delivering warm, round bass, a detailed midrange, and smooth high frequencies reminiscent of the world's most famous mics, coupled with exceptionally low noise, the NT1 is the definition of a workhorse studio microphone – a modern classic.

- Large 1" gold-sputtered capsule
- Exceptionally low noise (4.5dBA)
- Smooth frequency response (20Hz – 20kHz)
- True condenser operation with cardioid polar pattern



LOW NOISE  
HANDLING



48V PHANTOM  
POWER



SHOCK MOUNT  
& DETACHABLE  
POP FILTER



## ACOUSTIC & ELECTRICAL SPECIFICATIONS

Acoustic Principle:	Pressure gradient
Active Electronics:	JFET impedance converter with bipolar output buffer
Polar Pattern:	Cardioid
Frequency Range:	20Hz ~ 20kHz
Output Impedance:	100Ω
Signal to Noise Ratio:	79 dBA
Maximum Output:	+8 dBu (1kHz, 1% THD into 1K Ω load)
Sensitivity:	-29 dB re 1V/Pa (35mV @ 94dB SPL) ± 2dB @ 1kHz
Dynamic Range:	128 dB SPL
Max Input SPL:	132 dB SPL
Output Connections:	3 Pin XLR. Balanced output between pin 2 (+), pin 3 (-) and pin 1 (ground)
Signal to Noise Ratio:	90 dBA SPL (as per IEC651)
Power Requirements:	24V phantom power 48V phantom power



## MECHANICAL SPECIFICATIONS

Weight (grams):	395
Dimensions (millimetres):	Length: 187 Diameter: 50
Included Accessories:	1 x XLR 1 x USB-C

## WHAT'S IN THE BOX



SM6



NT1

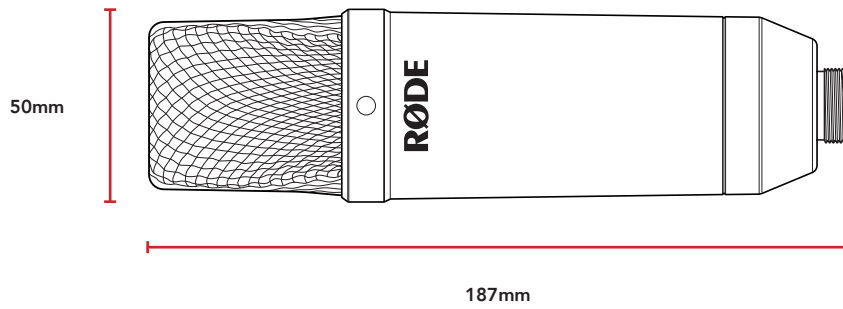


USB-C to USB-A

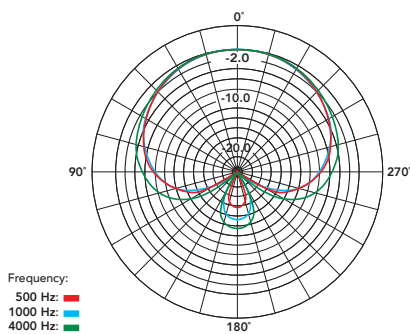


XLR

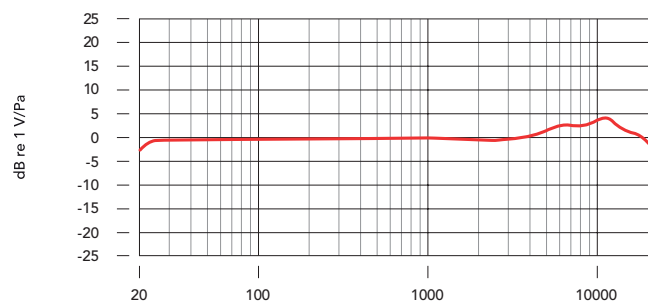
## DIMENSIONS



## POLAR PATTERN



## FREQUENCY RESPONSE



# AI-1

STUDIO-QUALITY AUDIO INTERFACE  
& HEADPHONE AMPLIFIER

The AI-1 is a studio-grade audio interface suitable for connecting both microphones and musical instruments to a computer or tablet. It features an ultra-low-noise preamp, a high-power headphone amplifier, and balanced line outputs. Switchable 48V phantom power facilitates the connection of condenser microphones, and zero-latency monitoring mode allows for seamless recording.

- Single channel audio interface
- 2 x 1/4" balanced line outputs
- Neutrik™ combo jack input
- 48V phantom power



**48V**  
PHANTOM  
POWER



**1/4" BALANCED**  
LINE OUTPUTS



**NEUTRIK™**  
COMBO JACK  
INPUT



**HIGH-POWER**  
HEADPHONE  
AMPLIFIER



## ACOUSTIC & ELECTRICAL SPECIFICATIONS

Computer Connectivity:	USB
Form Factor:	Desktop
Simultaneous I/O:	1 x 2
Number of Preamps:	1
Phantom Power:	Yes
Bit Depth:	24-bit
Sample Rates:	44.1 kHz 48 kHz 88.2 kHz 96kHz
Analog Inputs:	1 x Neutrik XLR-1/4" combo
Analog Outputs:	2 x 1/4" (impedance balanced) 1 x 1/4" (headphones)
Direct Monitor:	Yes
USB:	1 x USB Type C
Bus Powered:	Yes
OS Requirements:	Mac OS 10.10 or later Windows 7 or later
Power:	USB bus-powered



## MECHANICAL SPECIFICATIONS

Weight (grams):	560
Dimensions (millimetres):	Depth: 100 Width: 124 Height: 38 (with knobs, 88 without knobs)

## WHATS IN THE BOX



AI-1 Single Channel Audio Interface



USB-C to USB-A Cable

## DIMENSIONS

